

C7000 SERIES



DEUTZ-FAHR
C7205 - C7205 TS - C7205 TSB
C7206 - C7206 TS - C7206 TSB





FEATURES, QUALITY
AND PERFORMANCE
EXCELLENCE,
UNITE WITHIN A BRAND WITH
A LONG AND DISTIGUSHED
HISTORY



SUPERIOR PERFORMANCE AND RELIABILITY.

Elegant design with a fresh new look. The new C7000 Series boasts a modern design penned by Giugiaro expressing the technological supremacy of the DEUTZ-FAHR brand - a guarantee of excellent threshing performance and superior grain and straw quality from over 100 years of experience and constant evolution in developing harvesting systems. The C7000 is undaunted by challenging conditions and continues to deliver outstanding productivity and threshing quality even in the most difficult crop and terrain conditions. The C7000 Series is powered by Deutz T4i engines to deliver unrivalled performance in the field - offering power outputs from 184 kW (250 hp) to 246 kW (334 hp), depending on the model - with among the lowest fuel consumption figures in this class, made possible by SCR technology with AdBlue® additive. The Schumacher cutting system, pick-up reel tines in composite material and fast cutting speed ensure extraordinary header performance combined with outstanding reliability. Superior grain cleanliness and quality are ensured by exclusive, tried

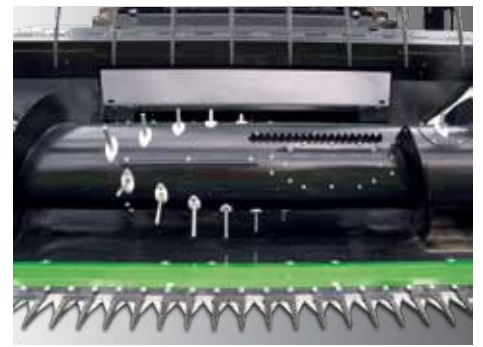
and tested DEUTZ-FAHR components such as: the removable double step grain preparation pan, turbo-fan, large sieves and the DGR (Double Grain Return) system on both sides of the machine. All of these features come together to make the C7000 Series the perfect machines for all operating conditions. The Commander Cab V means these machines are also a pleasure to drive. Boasting innovative materials, superior visibility, LED operating lights and (optional) Xenon work lights, the cab offers an exclusive driving environment with extraordinary comfort. These machines also offer easy operator access for day-to-day and unscheduled maintenance, with easy, quick access to the drive train areas and other key components of the machine. For unrivalled performance and reliability and class-beating harvesting results, every aspect of the new C7000 Series is conceived for maximum quality and productivity to both the grain and the straw.



PERFECT CUTTING RESULTS AND
OPTIMUM CROP FLOW.



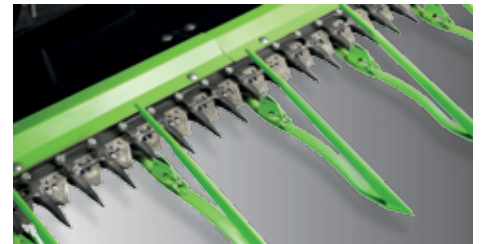
Planetary gear transmission: high cutting rates in all harvesting conditions.



The feeder auger with full length retractable fingers ensure continuous feed and crop flow.



The sensor skids allow the header to follow the contours of the terrain precisely and make instant adjustments to ensure an even cutting height.



The offset configuration of the knife sections reduce wear and ensures excellent cutting results in all conditions.



The rapeseed kit may be fitted to the grain header for even greater versatility.



The sunflower seed kit harvests the sunflower heads only, for optimised harvesting performance.

SCHUMACHER EASY CUT II CUTTING SYSTEM.

Precise, clean cutting results, even at high cutting volume. Offered with cutting widths from 4.20 to 9.00 metres, DEUTZ-FAHR feature a single-piece construction which are sturdy and reliable. With a planetary transmission for very high cutting rates (1220 cuts/minute), the Schumacher Easy Cut II cutting system ensures precise cutting and delivers both outstanding performance and superior cutting quality even when working with green or laid crops and with high crop densities. An innovative optional system with knife presser rollers and knife guide rollers keeps the knife perfectly straight while also reducing vibration, wear and power consumption. In addition to this is a large diameter feed auger with deep flights which, together with retractable auger fingers arranged in a helical layout across the entire auger, contribute to ensuring continuous crop flow to the elevator feeder. Naturally, these headers also feature the same proportional pick-up reel speed technology used on original DEUTZ-FAHR header.

AUTOCONTROL.

The AUTOCONTROL corrects the position of the header to follow the contours of the terrain perfectly in all possible harvesting conditions. The AUTOCONTROL system uses three different sensors to maintain consistent cutting height, lateral float and ground pressure: the driver sets these parameters as needed quickly and easily from the cab, and the system automatically does the rest.

SPECIAL KITS.

DEUTZ-FAHR headers have been designed for versatility. Both the sunflower and the rape kits are easily fitted to the standard grain header to further extend the crop harvesting variations of the combine harvester, for even more profitable returns on your investment.



TECHNOLOGY CREATED FOR
UNRIVALLED RESULTS IN ALL
TERRAIN CONDITIONS.



The wide opening feeder channel ensures the threshing system is capable of handling large volumes of crop



Adjustable cutting angle for following the contours of uneven terrain perfectly.



The Balance system adjusts the position of the entire machine completely automatically to correct for lateral gradients up to 20% and longitudinal gradients up to 6% and keep the combine harvester perfectly level.



Both standard and Balance axle variants have a load capacity of 25 tonnes, for total peace of mind in even the most challenging conditions.



30" RUBBER TRACKS.

THE DETAILS MAKING THE C7000 SUCH A GREAT MACHINE.

Even the details of the C7000 Series are astonishing: The feeder housing is fitted with three alternating feeder bars fastened to three chains with toothed support shafts to prevent vibration and allow large headers to be used. The cutting angle is mechanically adjustable (or adjustable with an exclusive optional electrohydraulic system) ensuring continuous crop feed to the threshing system. The heavy-duty electric feeder reverse system for the feed elevator and header eliminates any possibility of feeder system overload.

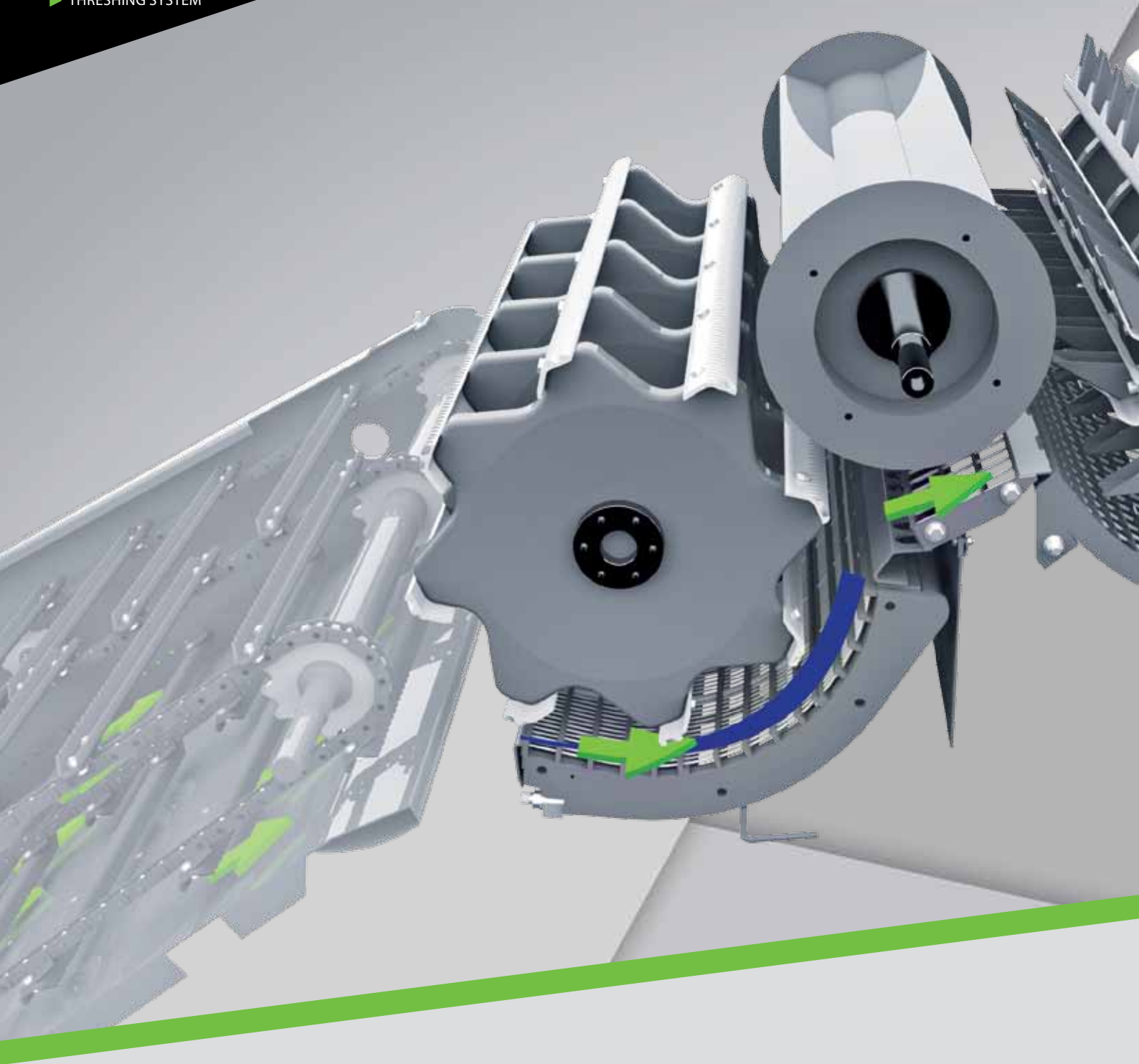
EXCLUSIVE BALANCE SYSTEM.

The C7000 TSB truly shines when harvesting on gradients. Balance technology by DEUTZ-FAHR keeps the entire combine harvester level by compensating for lateral gradients up to 20% and up or downhill horizontal gradients up to 6%. This means that the crop is

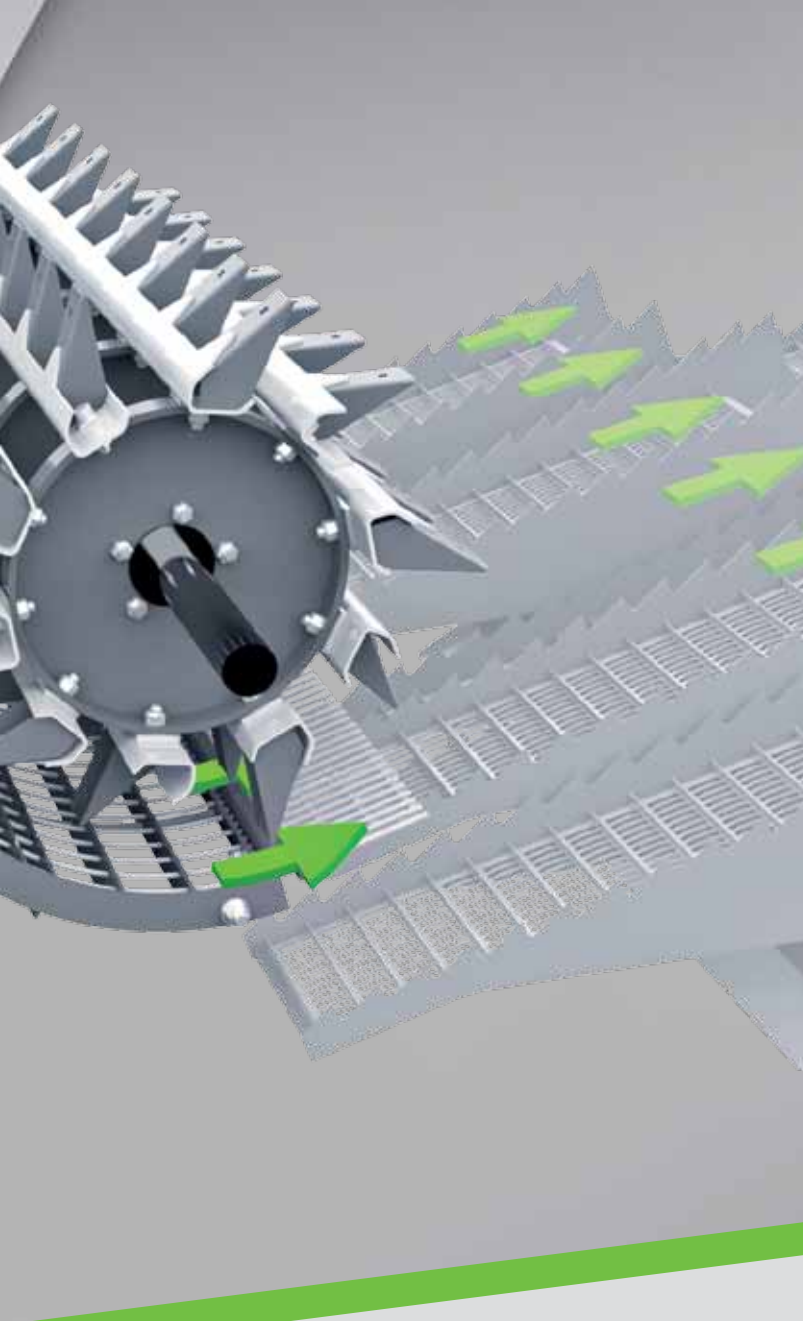
always harvested uniformly by the threshing system, straw walkers and cleaning system, for exceptionally high productivity. The BALANCE function is activated by simply pressing a button in the cab, while the driver can manually adjust the position of the combine manually at any time.

RUBBER TRACKS.

With a larger footprint for less soil compaction and maximum traction, the new 30" rubber tracks let the machine tackle terrains with soft ground without fear of sinking or causing soil damage through compaction. The tracks are self-cleaning with specially shaped track shoes, while an extremely efficient hydraulic system maintains the correct track tension. The new rubber track system with dedicated reduction gears gives the machine a top speed comparable to a conventional wheeled vehicle, while ensuring compact dimensions of just 3.50 m in width and 4.00 m in height.



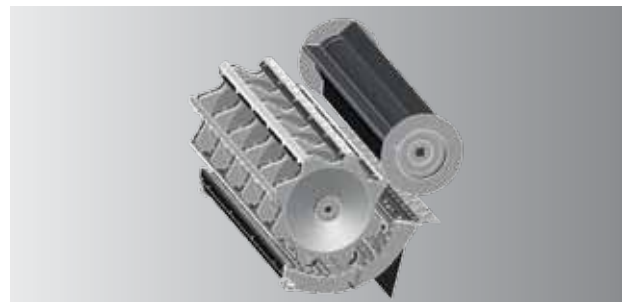
THE PERFECT SYSTEM FOR
EVERY NEED.



AN INGENUOUS THRESHING SYSTEM

The C7000 Series is equipped with a threshing system built to meet the needs of even the most challenging harvesting job. The sturdy 600 mm diameter threshing drum is designed and built to withstand high stress and strain, to ensure excellent straw and grain quality even in very high production volume conditions. V-belt tension is adjusted automatically in relation to torque to let the system operate at full power in all conditions. The electric threshing drum speed adjustment system varies speed within a range from 420 to 1250 rpm, or between 210 and 625 rpm, if equipped with the reduction gear for particularly delicate crops. The unique geometry of the concave, with a wide pitch of 121°, ensures that the crop is fed through long threshing angle. This ingenious system is extremely effective with grain separation and minimal straw damage. The segments of the concave are easily replaceable to adapt the machine for different crops, setting the most appropriate spacing between the rows of the different segments for the harvesting conditions. The concave is fully adjustable. The front and rear concave positions are adjustable separately directly from the driver seat to obtain the most suitable threshing and flow for all types of crop. The wide range of settings for the concave ensure maximum crop flow in all conditions. For threshing or separating difficult crops, the concave is equipped with de-awning plates engaged from a lever on the exterior of the machine.

TURBO-SEPARATOR.

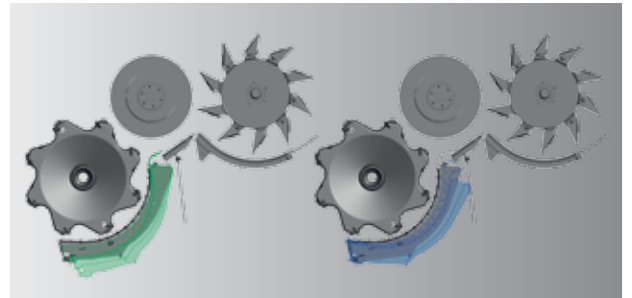


THRESHING DRUM, CONCAVE AND STRAW BEATER.

A broad 600 mm diameter threshing drum measuring 1.27 m in width for the 5 straw walker model and 1.52 m in width for the 6 straw walker model, and a multi-segment concave with a pitch of 121° ensure perfect threshing results in all conditions.

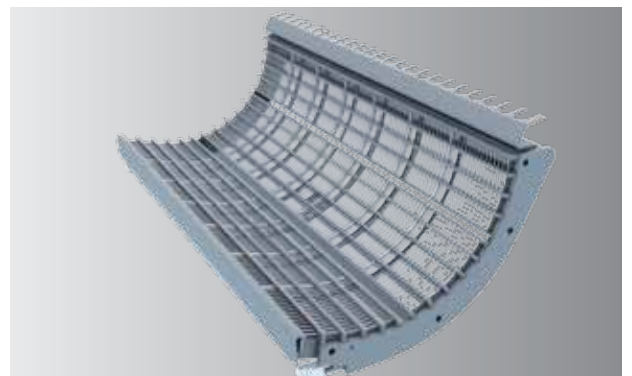
TURBO SEPARATOR (photo on LH).

A third drum situated behind the straw beater increases threshing capacity in difficult conditions.



CONCAVE ADJUSTMENT.

The clearance between the concave and the threshing drum at the input and output can be independently adjusted at the front and rear via electric actuators controlled by the Commander Control.



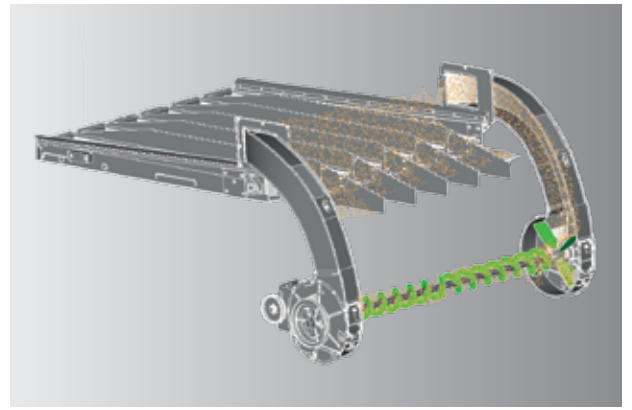
MULTI-SEGMENT CONCAVE

Adjustable for maximum performance in all working conditions and with all crop types.

For working in particular difficult conditions in the field, the C7000 TS and TSB models are equipped with a turbo-separator allowing the machine to harvest at the same speed even when working with green or wet straw and with weed infestation. This third drum increases productivity by 20%. The exclusive 5-position electrical adjustment system lets the operator adjust the action of the system in relation to the characteristics and conditions of the threshed crop, and also safeguards the quality of the straw for possible baling.



OUTSTANDING CLEANING,
MINIMAL LOSSES.



An overload safety system ensures excellent reliability. The dual grain return system (DGR) has two different operating speeds selectable in relation to the crop processed to ensure complete grain care in all conditions.



An (optional) electrically operated sieve adjustment system lets the operator adjust sieve clearance instantaneously in relation to harvesting conditions.

SEPARATION TECHNOLOGY IMPECCABLE GRAIN CLEANLINESS WITH DEUTZ-FAHR.

Unmistakeable: with DEUTZ-FAHR cleaning and separation technology, the C7000 Series meticulously processes every last grain. The large surface area of the five or six straw walkers and the high, long steps (up to 1.52 m in width with a separation area up to 7.60 m²) ensures effective grain separation. The open walker system ensures that the grain is discharged effectively even when harvesting particularly damp crops. The dedicated return pan ensures that the crop reaches the grain preparation pan area in an even and consistent volume. The tall separator dividers prevents side overload even when working on gradients. The large surfaces of the sieving system

(5.28 m² for C7205 models and 6.32 m² for C7206 models), the 44 tangential flow turbine blades and the double step with adjustable pre-sieve (optional) transfers clean, quality grain to the grain tank. Air is directed across the entire width of the fan housing. Air flow is adjusted electrically from the cab, letting the operator adjust air flow volumes continuously in relation to operating conditions. Un-threshed heads are re-threshed by two return re-threshers - exclusive DEUTZ-FAHR feature - and discharged directly onto the grain pan to optimise the re-thresh procedure.

12-13

▶ STRAW CHOPPER
AND TANK



STRAW DISPERSAL
AND GRAIN QUALITY
FOR OUTSTANDING
PRODUCTIVITY.



STRAW CHOPPER.
For even more effective material distribution, the straw chopper may also be equipped with deflectors, adjusted electrically from the cab, to adjust spreading to weather conditions.



UNLOADER.
Fast and efficient high clearance grain unloading



VISUAL GRAIN TANK MONITORING.
A window in the cab lets the operator visually check the fill level of the tank and the quality of the grain harvested.



GRAIN TANK.
Generous sized grain tank.

EXTREMELY EFFICIENT STRAW CHOPPER AND CHAFF SPREADER.

The integrated straw chopper is engaged and disengaged directly from the cab. The high intensity chopping process produces straw residue that will not disrupt subsequent soil preparation operations, even when working modern minimum tillage methods. Unlike some equivalent systems, this system distributes the chopped straw uniformly over the entire working width. A chaff spreader with two 4-paddle rotors distributes the material exiting the sieves across the entire working width of the straw chopper. This produces an ideal straw-chaff mixture, facilitating its subsequent transformation into organic soil material. For rapid, uninterrupted harvesting, the grain tank of the C7000 Series has a capacity of 8500 litres (for the C7205) or 9500 litres (for the C7206), whilst a tank level gauge and viewing window lets the driver quickly check the level and

quality of grain in the tank. The high clearance unloader with a discharge outlet 4.30 m above the ground means that even tall-sided trailers can be loaded with ease. The unloader pipe is available in 3 different lengths (5.00, 5.60 and 6.00 m) to suit the width of the header used. The grain sample hatch is situated within easy reach of the operator. A lever allows selection between chopping or depositing the straw in windrows. The straw is handled gently by the threshing system, producing high volume good quality windrows.



OUTSTANDING PERFORMANCE
WITH LOW RUNNING AND
MAINTENANCE COSTS.



VARIABLE DISPLACEMENT PUMP.
The hydrostatic pump is fitted directly to the engine.



POWERFUL 6.1 AND 7.8 LITRE DEUTZ ENGINES.
Engines designed and built for efficiency high performance.

HIGH PERFORMANCE ENGINES AND HYDRAULICS.

The C7000 Series is born to deliver impressive performance: with an extraordinary torque reserve, it takes peaks in engine loading easily in its stride. Durable and economical Deutz engines (6.1 l for the C7205 and 7.8 l for the C7206) produce 169 kW (230 hp) for the C7205, 195 kW (265 hp) for the C7205TS and TSB, and 226 kW (307 hp) for the C7206TS and TSB. With SCR technology with AdBlue®, all models offer one of the lowest fuel consumption figures in this class. A large rotary screen cleans the cooling air fed to the radiators. Power is taken off on both sides of the engine for high

torque and power transfer with minimal drive loss and wear. The 4-range hydrostatic transmission allows you to always find the right speed for the various harvesting conditions. The ideally spaced ratios ensure that there is always plenty of torque in reserve to tackle the most difficult traction conditions. The header functions are controlled by a Load Sensing hydraulic system, which delivers oil to the various valve controls only when required to optimise the efficiency of the system.



EVERY FUNCTION UNDER TOTAL
CONTROL IN UNRIVALLED
COMFORT.



Easy access to all controls and settings during operation.



COMMANDER STICK.

For controlling: 1) position and inclination of header, 2) cutting angle, 3) pick-up reel position and drive.



Ergonomic seat with mechanical or pneumatic adjustment and adjustable steering column for setting the a comfortable driving position.



PASSENGER SEAT.

Folds for optimised space usage in the cab.

COMMANDER CAB V.

The new Commander Cab V cab has been designed for excellent visibility, to ensure a clear, uninterrupted view of the header and to offer a spacious, comfortable and ergonomic working environment encompassing the unique strengths of the DEUTZ-FAHR brand. The interior of the cab is attractively designed with visually pleasing colours for the relaxing, soft-touch materials. The generously-sized, supportive and fully adjustable operator seat complements the innovative design of the cab. Contributing to the excellent all-round visibility is the steering column with an infinitely adjustable gas strut system. The steering wheel is covered in anti-slip material and moulded for a safe grip. An air conditioning system lets the driver set temperature and air flow to suit personal preference and maintain a comfortable working environment inside the Commander Cab V. High quality finish adds an inimitable touch of premium elegance to the Commander Cab V on the C7000 Series.

COMMANDER CONTROL.

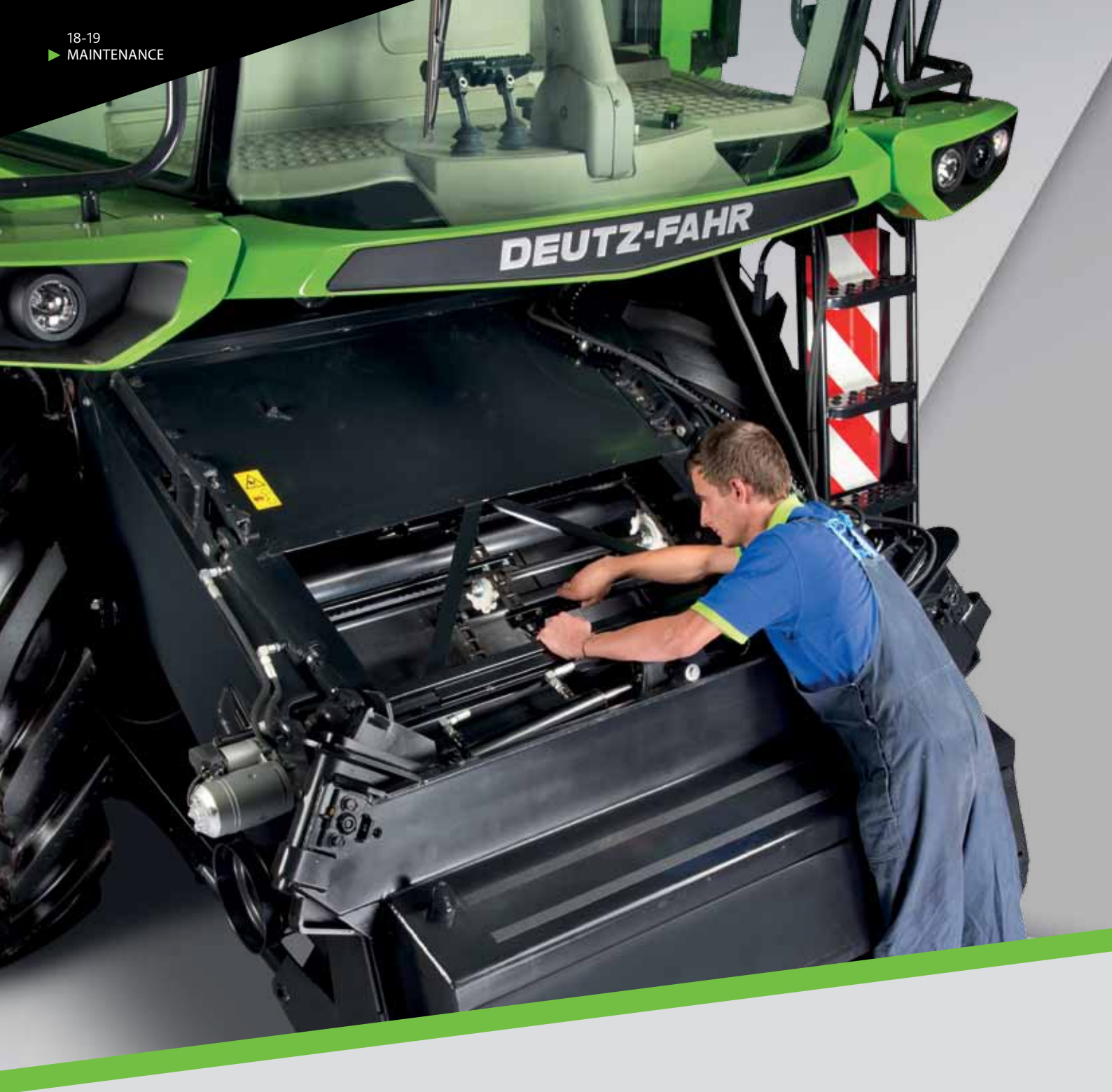
The driver can adjust the operating parameters of the threshing and cleaning systems instantaneously at the simple touch of a button to ensure maximum productivity throughout the day and the harvesting season.

VISIBILITY PACK.

Designed for improved visibility and even more precise harvesting at night, the VISIBILITY PACK is now available to equip the machine with an even more comprehensive set of work lights. Large, dual rear view mirrors on electrically adjustable telescopic mounts make driving safer and more relaxing. Two flashing beacons complete the standard equipment.

CAMERA KITS.

Camera kits with up to 3 cameras for monitoring the area surrounding the combine harvester. Images from the colour and infrared cameras are displayed on the new 7" monitor.



QUICK MAINTENANCE.



CAB FILTERS.
Easy to replace cab air filters with no tools required.



**REMOVABLE FROM GRAIN
PREPARATION PAN.**



LATERAL ACCESS FOR BELTS.
Quick and easy access. Simple drive line layout.



HYDRAULIC CONNECTORS.



FUEL TANK AND FILTERS.
Easy to clean fuel tank area and replace filters.



**ACCESS FOR RADIATOR
CLEANING.**



ELECTRICAL SYSTEM.

LARGE OPENING ACCESS PANELS.

Simple, quick maintenance is another advantage of the C7000 Series. All maintenance points are logically located and easy to access. Individual panels and components are coated with multiple

layers of anti-corrosion treatment to protect against rust, dirt and moisture: for total peace of mind and long-lasting durability and reliability.



STURDY, PRECISE
CONSTRUCTION.



Every part of the combine structure is produced with the use of Laser cutting machines which, starting from the 3D drawing, allow the finished piece to be made.



All the painted parts of the machine are treated with an advanced cataphoresis process in which each individual part is immersed in a series of 14 different tanks, starting with a cleaning treatment and polarisation, and concluding with the paint process.



The DEUTZ-FAHR combine harvester production process is "ISO 9001-2008" certified through "Cer-To", a company specialised in the field.

AN INVESTMENT THAT WILL KEEP ITS VALUE FOR YEARS TO COME.

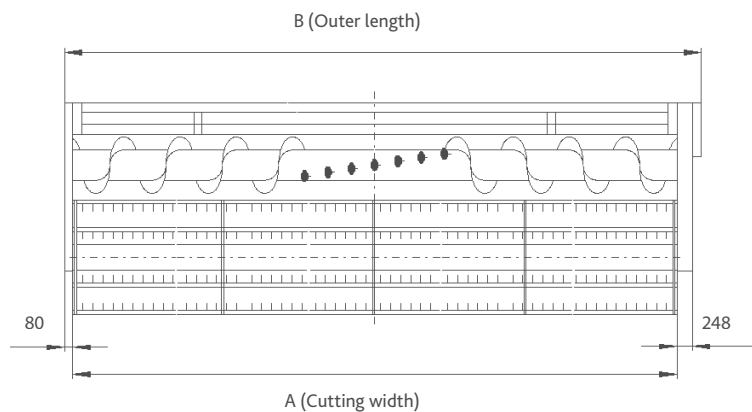
The state of the art equipment and machinery used in the DEUTZ-FAHR factory ensure that each one of our machines is built to perfection with very high levels of fit and finish. Every combine harvester receives a cataphoresis treatment to prevent any risk of corrosion, while all painted parts are galvanised for maximum corrosion resistance and durability. Thanks to this leading-edge process, DEUTZ-FAHR combine harvesters maintain a high resale value, protecting the initial investment. The advanced assembly

processes and state of the art, high-tech equipment used in the DEUTZ-FAHR combine plant mean that every combine harvester is built and finished to an extremely high quality standard. The exclusive cataphoresis process involves immersing every component in a series of 14 tanks, in which each part is cleaned and then polarised in preparation for subsequent painting. The entire production process for DEUTZ-FAHR combine harvesters has received "ISO 9001 - 2008" certification from the specialised company "Cer-To".

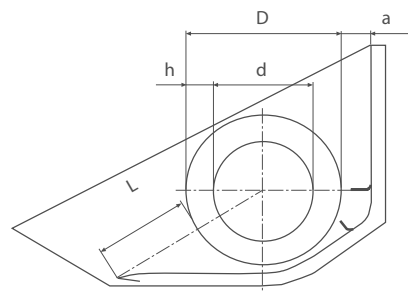
TECHNICAL DATA

COMBINE 7000

		C7205	C7205TS	C7205TSB	C7206	C7206TS	C7206TSB
HEADER							
Effective width	m	4.20 - 4.80 - 5.40 - 6.30 - 7.20			4.80 - 5.40 - 6.30 - 7.20 - 9.00		
Hydraulic adjustment of cutting height	mm	from -300 to +1370					
Cutting height indicator		•	•	•	•	•	•
Oil bath planetary gear reduction unit for cutting knife (1220 cuts / min.)		•	•	•	•	•	•
Long right and left crop dividers, fixed		•	•	•	•	•	•
Number of crop lifters		from 13 to 23 depending on cutting width					
Auto adjustment of ground pressure, pre-selection of cutting height with height indicator		•	•	•	•	•	•
AutoControl (with lateral float)		•	•	•	•	•	•
Cutting angle adjustment (electro-hydraulic)*		•/○	•/○	•/○	•/○	•/○	•/○
Trailer tow hook		•	•	•	•	•	•
Bar transport trailer		○	○	○	○	○	○
Multiple hydraulic connector		○	○	○	○	○	○
Automatic tow hook		○	○	○	○	○	○
Oil seed rape adapter kit for bar with right hand lateral knife with separate hydraulic control		○	○	○	○	○	○
Left lateral rape knife with separate hydraulic control (only possible with rape head)		○	○	○	○	○	○
Sunflower adapter kit for header		○	○	○	○	○	○



Type	A (mm)	B (mm)	Weight (kg)	Dimensions in mm
4.20 m	4187	4515	1280	L = 480
4.80 m	4796	5124	1170	D = 610
5.40 m	5406	5734	1,540	d = 350
6.30 m	6320	6648	1760	h = 130
7.20 m	7235	7563	1980	a = 50
6.30 m	9,000	9622	2580	



		C7205	C7205TS	C7205TSB	C7206	C7206TS	C7206TSB
PICK-UP REEL							
6 bars, with vertical hydraulic adjustment		•	•	•	•	•	•
Horizontal hydraulic adjustment		•	•	•	•	•	•
Cutting height indicator	rpm	continuously variable from 16 to 45					
Pick-up reel speed adapted automatically to ground speed		•	•	•	•	•	•

TECHNICAL DATA		COMBINE 7000					
		C7205	C7205TS	C7205TSB	C7206	C7206TS	C7206TSB
THRESHING DRUM							
Diameter	m	600	600	600	600	600	600
Width	mm	1270	1270	1270	1521	1521	1521
Rasp bars	n°	8	8	8	8	8	8
Variable speed transmission with electric adjustment	rpm	420 – 1250	420 – 1250	420 – 1250	420 – 1250	420 – 1250	420 – 1250
Threshing drum rpm reducer (optional)	rpm	210 – 625	210 – 625	210 – 625	210 – 625	210 – 625	210 – 625
CONCAVE							
Rasp bars	n°	15	15	15	15	15	15
Pitch angle	degrees	121	121	121	121	121	121
Separation surface area	m²	0.95	0.95	0.95	1.13	1.13	1.13
Multi-segment concave		o	o	o	o	o	o
De-awning plate with lateral control		•	•	•	•	•	•
Independent electric adjustment in input/output		•	•	•	•	•	•
Transformation for corn from grain or CCM		o	o	o	o	o	o
Transformation for rice		o	o	o	o	o	o
TURBO-SEPARATOR.							
Diameter	Mm	-	590	590	-	590	590
Rated rpm	rpm	-	775 / 410	775 / 410	-	775 / 410	775 / 410
Excursion adjustment in 5 positions from cab (electric)		-	•	•	-	•	•
Separation surface area	m²	-	0.81	0.81	-	0.97	0.97
Anti-wear plates for heavy-duty applications*		-	•/o	•/o	-	•/o	•/o
STRAW WALKER							
Elements	n°	5	5	5	6	6	6
Steps	n°	5	4	4	5	4	4
Open straw walkers		•	•	•	•	•	•
Ball bearing supports		•	•	•	•	•	•
Straw walker surface area	m²	6.30	5.60	5.60	7.60	6.70	6.70
Total separation surface area	m²	7.30	7.36	7.36	8.73	8.80	8.80
Straw walker return pan		•	•	•	•	•	•
Electronic control of straw walker speed		•	•	•	•	•	•
STRAW CHOPPER - CHAFF SPREADER							
High intensity straw chopper with manual spreading width adjustment		o	o	o	o	o	o
Electric spreading width adjustment		o	o	o	o	o	o
Chaff spreader with integrated transport pan		o	o	o	o	o	o

STD • OPT o

- Not available

* Optional or standard depending on version

TECHNICAL DATA		COMBINE 7000					
		C7205	C7205TS	C7205TSB	C7206	C7206TS	C7206TSB
CLEANING SYSTEM							
High performance crossflow fan		•	•	•	•	•	•
Pre-sieve		•	•	•	•	•	•
Sieve box illumination		•	•	•	•	•	•
Counter-moving sieves		•	•	•	•	•	•
Total ventilated sieving surface area	m ²	5.28	5.28	5.28	6.32	6.32	6.32
TAILINGS RETURN SYSTEM							
Electronic level control and overload recovery control, if applicable*		•/o	•/o	•/o	•/o	•/o	•/o
Independent left/right recovery with re threshing system		•	•	•	•	•	•
GRAIN TANK							
Capacity	l	8,500	8,500	8,500	9,500	9,500	9,500
Emptying in any position		•	•	•	•	•	•
Visual and sound fill level indicator		•	•	•	•	•	•
Internal lighting / Grain sampling from driver's seat		•	•	•	•	•	•
Extra-long 6 m unloading auger*		•	•	•	•	•	•
Emptying speed		90 l/sec.	90 l/sec.	90 l/sec.	90 l/sec.	90 l/sec.	90 l/sec.
DEUTZ 4 Valve Common Rail Tier 4i engine		DEUTZ TDC L6 6.1 LITRES			DEUTZ TDC L6 7.8 LITRES		
Nominal rated power (97/68/EC)	kW/hp	169/230	183/250	183/250	226/307	226/307	226/307
Maximum power (ECE R120)	kW/hp	184/250**	211/287**	211/287**	246/334**	246/334**	246/334**
Fuel tank	l	750	750	750	750	750	750
AdBlue® tank	l	85	85	85	85	85	85
TRANSMISSION / BRAKES / STEERING							
Hydrostatic transmission with 4 speed gearbox		•	•	•	•	•	•
Forward speed / Reverse speed	Km/h	0 - 26.0 / 0-14.0	0 - 26.0 / 0-14.0	0 - 26.0 / 0-14.0	0 - 26.0 / 0-14.0	0 - 26.0 / 0-14.0	0 - 26.0 / 0-14.0
Hydraulic foot brake, usable as single brake, mechanical parking brake		•	•	•	•	•	•
"BALANCE" LEVELLING SYSTEM							
Complete levelling of the combine harvester		-	-	•	-	-	•
Lateral/longitudinal gradient compensation		-	-	20% / 6%	-	-	20% / 6%

TECHNICAL DATA	COMBINE 7000					
	C7205	C7205TS	C7205TSB	C7206	C7206TS	C7206TSB
TYRES						
front, 620/70 R30 168 A8	●	●	●	○	○	○
front, 650/75 R32 167 A8	○	○	○	●	●	●
rear, 405/70 R20 155 A2	○	○	○	○	○	○
front, 800/65 R32 STR 172 A8	○	○	○	○	○	○
rear, 500/60 -22.5 10 PR	○	○	○	○	○	○
rear 710/75 R34 178 A8	○	○	○	○	○	○
rear 600/50 R22,5 165 A8	○	○	○	○	○	○
rear 540/65 R24 146 D	○	○	○	○	○	○
Rubber track with 4-wheel bogie track width 716 mm	○	○	○	○	○	○
CAB						
Commander Cab V with panoramic glazing in tinted laminated glass, comfort driver seat with armrest, passenger seats	●	●	●	●	●	●
Multi-function Commander Stick	●	●	●	●	●	●
Commander Control for electric operation of header, threshing system, concave and TS, and for setting grain tank discharge and threshing system parameters	●	●	●	●	●	●
CCM (Combine Control Management)	●	●	●	●	●	●
6 work lights on cab, 1 work light on grain tank, 2 rear work lights	○	○	○	○	○	○
Left and right electrical work mirrors	○	○	○	○	○	○
"Visibility pack" work kit: side, under-cab, handrail lights	○	○	○	○	○	○
"Visibility pack" maintenance kit: maintenance lights (4 on sides of the combine harvester, 1 in engine compartment)	○	○	○	○	○	○
Camera kits: 3 cameras (rear, unloading auger and tow hook) IR and colour and 7" monitor	○	○	○	○	○	○
Heating and air conditioning	●	●	●	●	●	●
2 Xenon work lights	○	○	○	○	○	○
SAFETY SYSTEMS						
Safety clutch for upper channel shaft, feeder auger, pick-up reel, straw walker and grain auger activation	●	●	●	●	●	●
Electronic control of straw walker speed, grain and recovery elevator	●	●	●	●	●	●
Header emergency stop button	●	●	●	●	●	●
MAINTENANCE						
Manual centralised lubrication system, greasing points: 8 on the left, 6 on the right	●	●	●	●	●	●
Automatic centralised lubrication system for approx. 60 lubrication points	○	○	○	○	○	○
Compressed air system: 30 ltr capacity, 3 outlets in total: 2 lateral, 1 in engine compartment	○	○	○	○	○	○

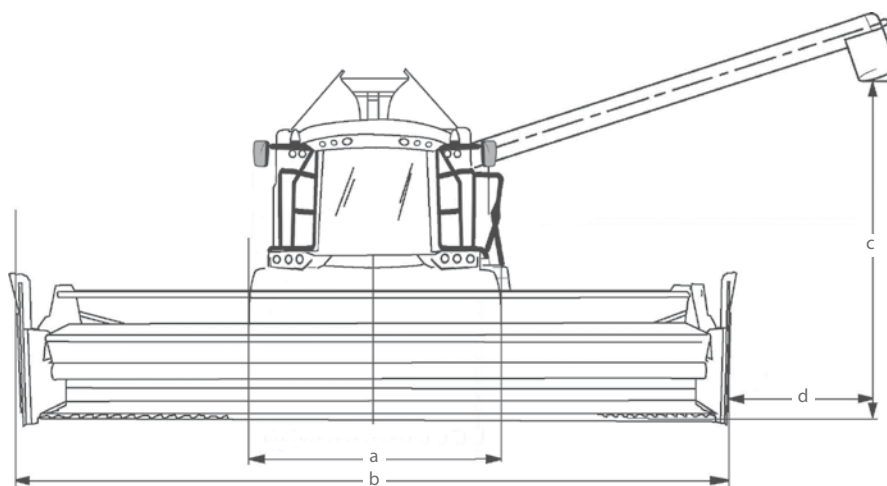
STD ● OPT ○

- Not available

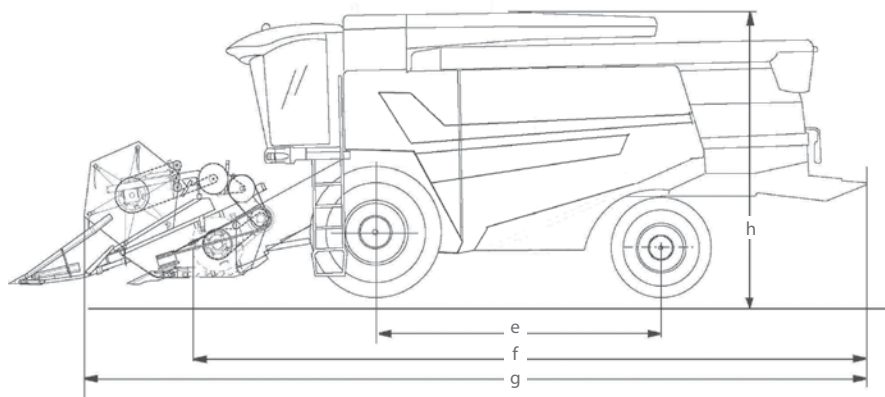
* Optional our standard based on the versions

** Overboost (additional power function) is available during simultaneous harvesting and emptying

TECHNICAL DATA		COMBINE 7000					
		C7205	C7205TS	C7205TSB	C7206	C7206TS	C7206TSB
DIMENSIONS IN MM							
Track	Front	2670	2670	2670	2670	2670	2670
	Rear	2343	2343	2343	2343	2343	2343
a) Width without header		3296	3296	3296	3296	3296	3296
b) Width with header							
	with 4.20 m Header	4.515	-	-	-	-	-
	with 4.80 m Header	5124	5124	5124	5124	5124	5124
	with 5.40 m Header	5734	5734	5734	5734	5734	5734
	with 6.30 m Header	6648	6648	6648	6648	6648	6648
	with 7.20 m Header	-	7563	7563	7563	7563	7563
	with 9.00 m Header	-	-	-	-	9622	9622
c) Height at bottom edge of unloading auger with standard tyres		4305	4305	4305	4305	4305	4305
d) Distance between side wall of header – grain tank unloader							
	with 4.20 m Header	2330	2330	2330	2330	2330	2330
	with 4.80 m Header	3180	3180	3180	3180	3180	3180
	with 5.40 m Header	2880	2880	2880	2880	2880	2880
	with 6.30 m Header	2430	2430	2430	2430	2430	2430
	with 7.20 m Header	1980	1980	1980	1980	1980	1980
	with 9.00 m Header	1246	1246	1246	1246	1246	1246



TECHNICAL DATA	COMBINE 7000					
	C7205	C7205TS	C7205TSB	C7206	C7206TS	C7206TSB
DIMENSIONS IN MM						
e) Wheelbase	3892	3892	3892	3892	3892	3892
f) Length without header	9240	9240	9240	9240	9240	9240
g) Length with header - crop separator folded	10890	10890	10890	10890	10890	10890
h) Grain tank height	3,990	3,990	3,990	3,990	3,990	3,990
WEIGHTS IN KG						
Without header	10570	10570	10570	11070	11070	11070
With header						
with 4.20 m header	1075	1075	1075	-	-	-
with 4.80 m header	1170	1170	1170	1170	1170	1170
with 5.40 m header	1,540	1,540	1,540	1,540	1,540	1,540
with 6.30 m header	1760	1760	1760	1760	1760	1760
with 7.20 m header	-	1980	1980	1980	1980	1980
with 9.00 m header	-	-	-	-	2580	2580



- Not available

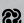
Technical data and pictures are guideline only. Whilst making every effort to meet your requirements, DEUTZ-FAHR may make changes at any time and is not required to give notice thereof.

Dealer

Produced by Marketing/Communication Department - Code 308 830113.6-9 - 07/14 I.P.

Deutz-Fahr recommends the use of original lubricants and



DEUTZ-FAHR è un marchio di  SAME DEUTZ-FAHR
deutz-fahr.com

